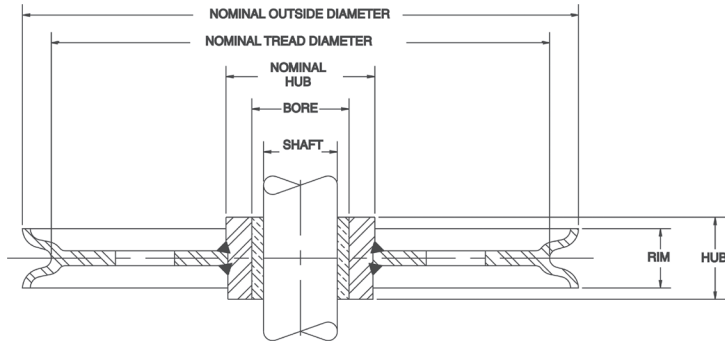


# CERTIFIED SLINGS

## & Supply

### CROSBY® MCKISSICK® CUSTOM SHEAVE QUOTATION REQUEST FORM

Customer Name:		Date:
Address:	City:	State, Zip:
Phone:	Fax:	E-Mail:
Person Completing Form:		Quantity:



**DIMENSIONAL INFORMATION**

Nominal Outside Diameter: \_\_\_\_\_ Wire Rope Size: \_\_\_\_\_ Rim Width: \_\_\_\_\_

+ Shaft Size: \_\_\_\_\_ \* Hub Width: \_\_\_\_\_

Nominal Tread Diameter (Optional): \_\_\_\_\_ Nominal Hub Diameter (Optional): \_\_\_\_\_

+ Shaft size is bore size on Plain Bore Sheaves.  
\* Hub width is measured over the cone of the Tapered Bearing Sheaves.

<b>BEARING TYPE</b>	Bronze Bushing	Ball Bearing
	Tapered Roller Bearing	Finish / Plain Bore
	Roller Bearing (requires hardened and ground shaft)	Underwater
	Full Complement Double-Row Cylindrical Roller Bearings with Seals	Other

<b>MATERIAL TYPE</b>	Roll Forged (Flame hardened 14" (356mm) and larger)	Forged Steel
	Cast Steel	Domed
	Fabricated	Other

**APPLICATION INFORMATION**

Line Pull: \_\_\_\_\_ Fleet Angle: \_\_\_\_\_ Degree of Wrap: \_\_\_\_\_

Line Speed: \_\_\_\_\_ Environment: \_\_\_\_\_ Groove Angle: \_\_\_\_\_

**SPECIAL REQUIREMENTS**

Special Testing: \_\_\_\_\_

Finish: \_\_\_\_\_

Third Party Inspection / Approval: \_\_\_\_\_