

# CERTIFIED SLINGS

## & Supply

### CROSBY® MCKISSICK® CUSTOM LEAD SHEAVE QUOTATION REQUEST FORM

Customer Name:		Date:
Address:	City:	State, Zip:
Phone:	Fax:	E-Mail:
Person Completing Form:		Quantity:

**SHEAVE INFORMATION**

Sheave Diameter: \_\_\_\_\_

Wire Rope Size: \_\_\_\_\_

Number of Sheaves: \_\_\_\_\_

**BEARING TYPE**

Bronze Bushing                  Roller Bearing

Tapered Roller Bearing      Other

**BLOCK INFORMATION**

Style:    Vertical    Horizontal

Dimensions: A. \_\_\_\_\_ B. \_\_\_\_\_ C. \_\_\_\_\_ D. \_\_\_\_\_

**APPLICATION INFORMATION**

Line Speed: \_\_\_\_\_      Single Line Pull: \_\_\_\_\_      Degree of Wrap: \_\_\_\_\_

Environment: \_\_\_\_\_

**FREQUENCY OF USE**

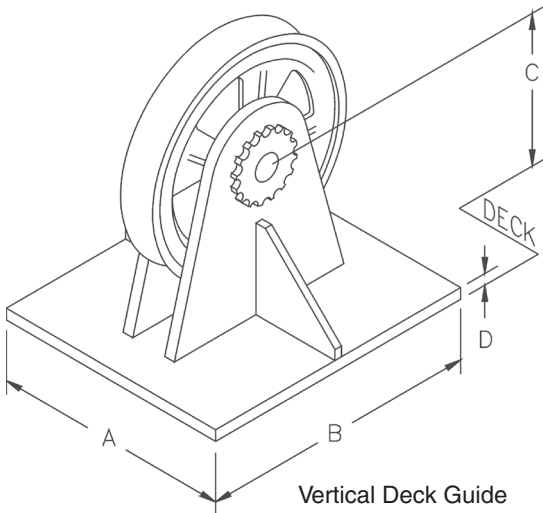
Continuous: \_\_\_\_\_      Intermittent: \_\_\_\_\_      One Time: \_\_\_\_\_

**SPECIAL REQUIREMENTS**

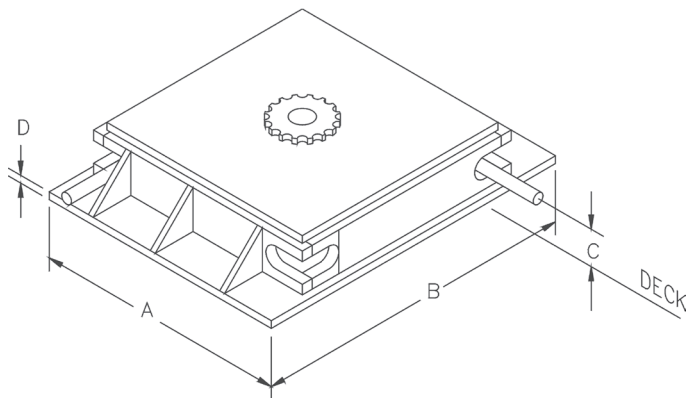
Special Testing: \_\_\_\_\_

Finish: \_\_\_\_\_

Third Party Inspection / Approval: \_\_\_\_\_



Vertical Deck Guide



Horizontal Deck Guide