

CERTIFIED SLINGS *& Supply*

CROSBY® MCKISSICK® CUSTOM FAIRLEADER QUOTATION REQUEST FORM

Customer Name:		Date:
Address:		
City:	State, Zip:	Country:
Phone:	Fax:	E-Mail:
Person Completing Form:		Quantity:

SHEAVE INFORMATION

Sheave Diameter: _____ Wire Rope Size: _____ Number of Sheaves: 1 2

BEARING TYPE- Sheave: Bronze Bushing Roller Bearing Tapered Roller Bearing Other

BEARING TYPE- Barrel: Bronze Bushing Roller Bearing Tapered Roller Bearing Other

BLOCK INFORMATION

Style: Pedestal Mount Base Mount

Dimensions: A. _____ B. _____ C. _____ D. _____

APPLICATION INFORMATION

Lead Line Speed: _____ Single Line Pull: _____ Degree of Wrap: _____

Environment: _____

FREQUENCY OF USE

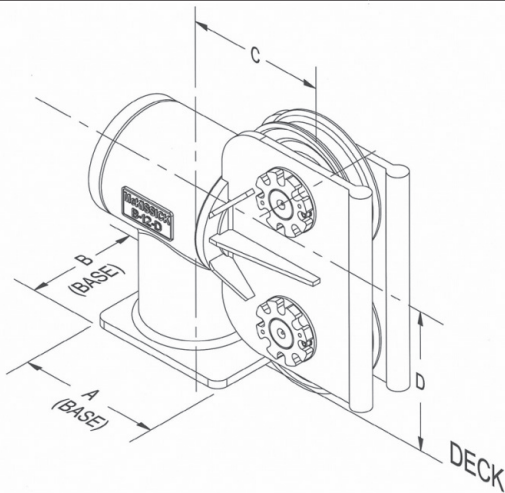
Continuous: _____ Intermittent: _____ One Time: _____

SPECIAL REQUIREMENTS

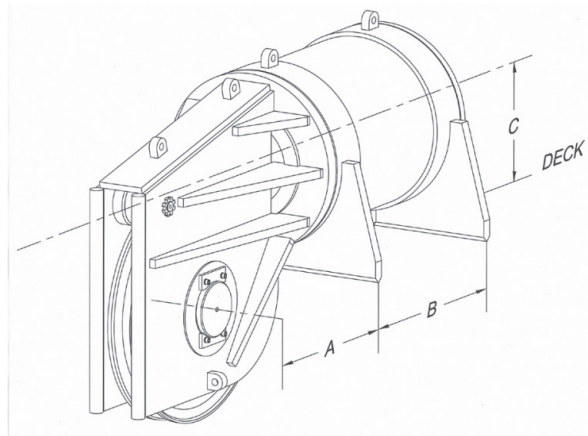
Special Testing: _____

Finish: _____

Third Party Inspection / Approval: _____



Base Mount (2 sheave version shown)



Pedestal Mount (1 sheave version shown)