

# CERTIFIED SLINGS

## E Supply

### CROSBY® MCKISSICK CUSTOM BRIDGE CRANE BLOCK QUOTATION REQUEST FORM

Customer Name: _____		Date: _____
Address: _____	City: _____	State, Zip: _____
Phone: _____	Fax: _____	E-Mail: _____
Person Completing Form: _____		Quantity: _____

**SHEAVE INFORMATION**

Sheave Diameter: \_\_\_\_\_

Wire Rope Size: \_\_\_\_\_

Number of Sheaves: \_\_\_\_\_

**BEARING TYPE**

- |                        |                |
|------------------------|----------------|
| Bronze Bushing         | Roller Bearing |
| Tapered Roller Bearing | Other          |

**BLOCK INFORMATION**

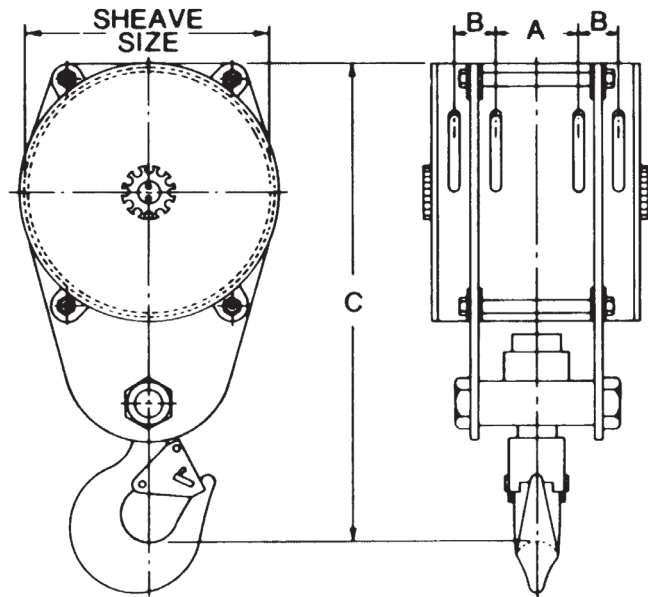
Dimensions: A. \_\_\_\_\_ B. \_\_\_\_\_ C. \_\_\_\_\_ D. \_\_\_\_\_

Working Load Limit: \_\_\_\_\_

CMAA Rating: \_\_\_\_\_

**LOWER FITTING TYPE**

- Single Point Hook
- Duplex Hook
- Swivel Hook Latch
- Other



**APPLICATION INFORMATION**

Overhaul Weight Requirements: \_\_\_\_\_

Lead Line Speed: \_\_\_\_\_

Environment: \_\_\_\_\_

**SPECIAL REQUIREMENTS**

Special Testing: \_\_\_\_\_

Finish: \_\_\_\_\_

Third Party Inspection / Approval: \_\_\_\_\_

- Four Position Locking Mechanism
- Other (Specify)